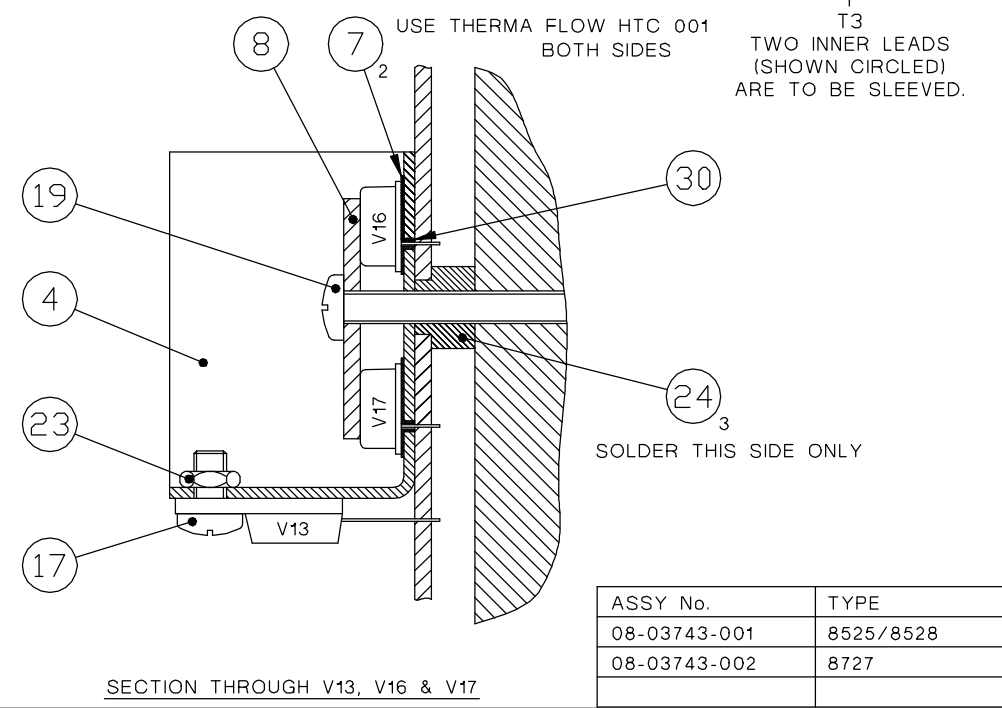
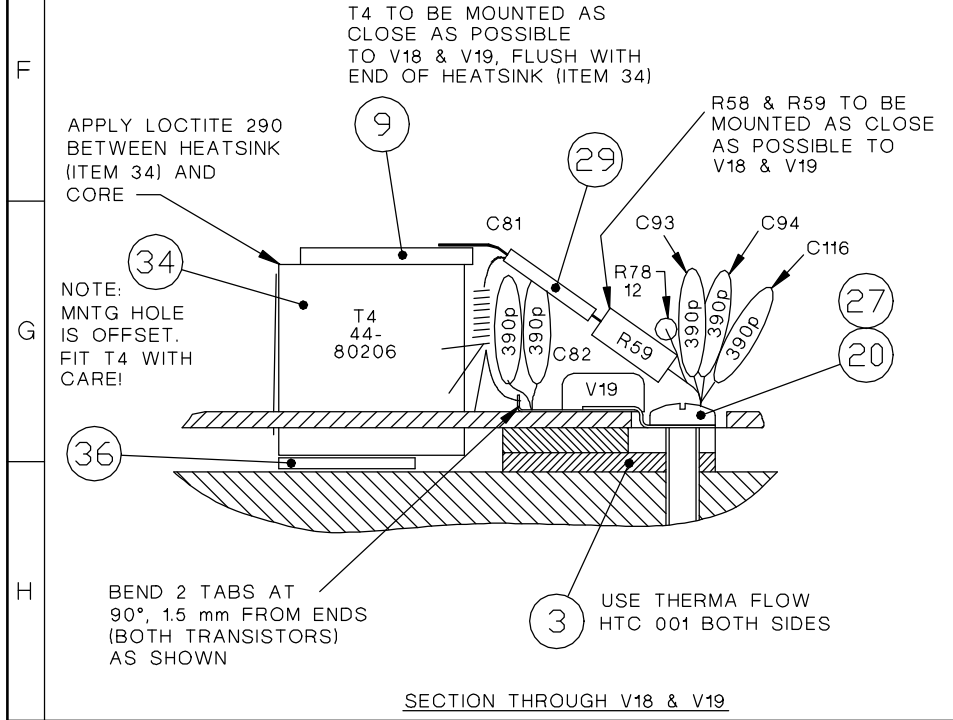


PCB 07-01243 ISS. 10



- NOTES:
1. ALL DIODES ARE BAW62 OR EQUIV. UNLESS OTHERWISE STATED.
 2. L1, L24, L25, L29 ARE FERRITE BEADS.
 3. CAPACITORS SHOWN THUS ARE FOR DIFFERENT LEAD SPACINGS AND SIZE
 4. RESISTORS SHOWN ARE ±2%
 5. SECURE ALL INDUCTORS & TRANSFORMERS TO PCB USING EXPANDITE 88
 6. SECURE L29 TO WIRE USING EXPANDITE 88

ISSUE B C105 WAS 33p C/R 21919 9-5-89 NJA
ISSUE C R79 WAS R77 C/R 22080 14-7-89 NJA
ISSUE D C81 & C82 WERE 330p C/R 22119 29-8-89 NJA
ISSUE 2 R80 WAS R78 R26 WAS 1K0 C/R 22151 15-11-89 NJA
ISSUE 3 C117 ADDED C36 WAS 120p C/R 22270 19-12-89 NJA
ISSUE 4 C118 ADDED VARIOUS COMPONENTS MOVED TO SUIT ALTERED TRACKING D11, D12 & C117 MOVED C/R 22304 27/3/90 NJA
ISSUE 5 R81 33K ADDED C/R 22442 26-4-90 NJA
ISSUE 6 R82 ADDED C118 CHANGED C/R 22464 23-8-90 NJA
ISSUE 7 R29 & R26 SWAP C/R 22538 27-8-90 NJA
ISSUE 8 R29 WAS 26 R30 WAS R29 R26 WAS R30 C/R 22622 27-3-91 NJA
ISSUE 9 NEW MOUNTING DETAIL FOR V15 C/R 22858 9-5-91 NJA
ISSUE 10 C116 CHANGED TO C119 C/R 23227 1-7-92 NJA
ISSUE 11 D18 ADDED C/R 23558 DIA FUSE WIRE CHANGED C/R 23497 16-2-93 NJA
ISSUE 12 ITEM 30 WAS 29 C/R 23681 9-8-92 NJA
FILE NAME 08\03743B17.DWG

	SCALE 2:1		© CODAN PTY LTD, A.C.N. 007 590 605: 1997 TITLE PA & FILTER PCB ASSY	
	DRN	CF		DATE 12-10-88
	CHKD	NJA		19-4-89
MATERIAL	APPD	NJA	14-9-89	
	TOLERANCES UNLESS OTHERWISE STATED			
	2 PLACES DEC. 1 PLACE DEC. 0 PLACE DEC. ANGULAR			
FINISH	DRAWING/DOC NO.		A2 08-03743	
	ISS			
ASSY No.	TYPE	SHT. 2 OF 2		
08-03743-001	8525/8528	11	12	
08-03743-002	8727	13	14	
		15	16	
		17		